

MJ20 or MJ420 Water Meter

FEATURES

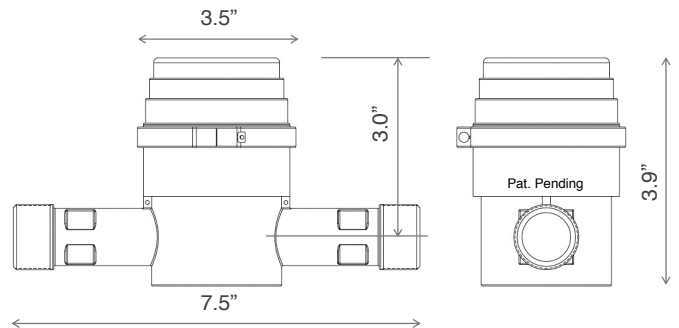
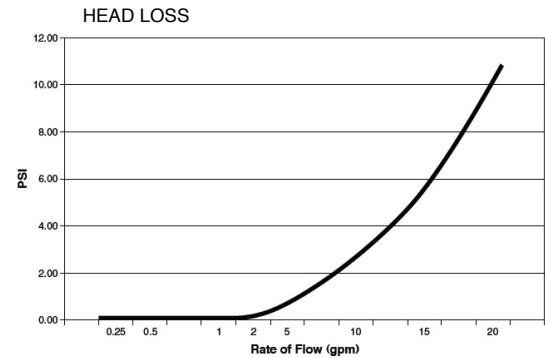
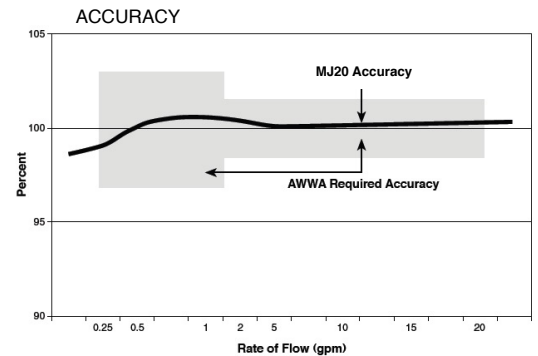
- Poly body with brass threads
- Available in cold (MJ20) and hot (MJ420) versions
- Pulse output (1/10 gal)
- Sealed register for tamper resistance
- Meets AWWA C708 performance
- NSF/ANSI 61 and NSF/ANSI 372
- Quiet operation
- 1-year new meter accuracy warranty
- 5-year standard warranty for body, register, and accuracy (AWWA C708)

SPECIFICATIONS

- | | |
|---|------------------------|
| • Operating capacity | 20 gpm |
| • Max rate for continuous duty | 15 gpm |
| • Max pressure loss at max flow | 10.9 psi |
| • Normal flow range (+/- 1.5%) | 1 - 20 gpm |
| • Minimum flow (+/- 3%) | 1/4 gpm |
| • Max working pressure | 150 psi |
| • Max working temperature (Cold; MJ20) | 105° F |
| • Max working temperature (Hot; MJ420) | 194° F |
| • Meter casing spuds, nominal thread size | 1" |
| • Nominal pipe size | 3/4" |
| • Weight | 0.9 lbs |
| • Materials (main case) | Glass-reinforced Nylon |

APPLICATION

For use in submetering applications where compact size and pulse output are desired. The MTW MJ20/MJ420 multi-jet water meter uses a polymer body design to allow for low weight and reduced cost but augments the meter with brass threads to reduce the likelihood of stripped threads during installation. The metal threads do not come into contact with the water thus allowing the MJ20/MJ420 to meet NSF/ANSI 61 standards as well as the Annex G 0.25% lead requirement also known as NSF/ANSI 372. The MTW MJ20/MJ420 may be installed either horizontally or vertically. The MJ420 is for hot water applications.



Due to continuous research and product enhancements, Meter Technology Werks, LLC reserves the right to change product or system specifications without notice, except to the extent an outstanding contractual obligation exists.

for questions or inquiries: sales@mtw.us.com
to place an order: orders@mtw.us.com
www.mtw.us.com

Meter Technology Werks, LLC.

2315 E 3rd Ave Tampa, FL 33605

(p) 877-9METERS
(f) 813-876-1721

